

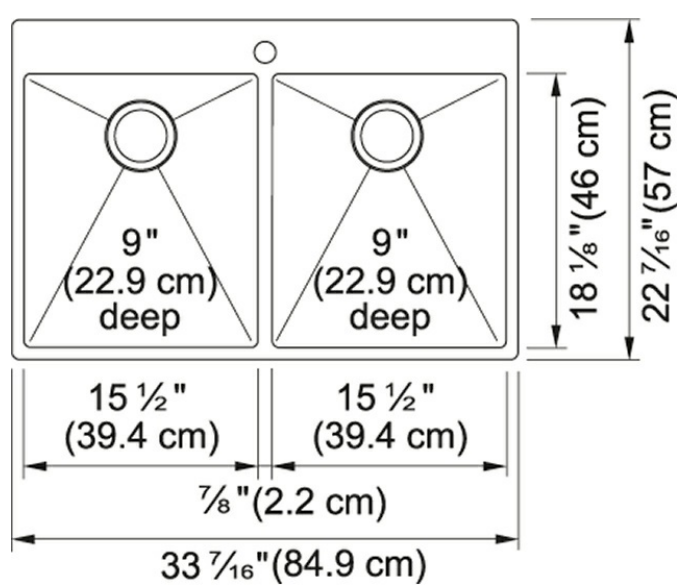
Vector HF3322-1KIT Stainless Steel

Franke Vector stainless steel kitchen sinks bring Swiss precision design to your wonderful kitchen in an affordable package. The sleek slim-rim design gives the Vector series a quality, timeless look that is easy to clean. Vector series stainless steel kitchen sinks are available in many sizes and bowl configurations including single bowl and double bowl options. The large and deep bowls make large items more manageable and Franke's Fast-in unique quick install system is included to make life easier.

Product Picture



Technical Drawing



Product Dimensions

| | |
|----------------------|---------------------|
| Length overall | $33 \frac{7}{16}$ " |
| Width overall | $22 \frac{7}{16}$ " |
| Length of large bowl | $15 \frac{1}{2}$ " |
| Width of large bowl | $18 \frac{1}{8}$ " |
| Depth of large bowl | $9 \frac{1}{16}$ " |
| Minimum Cabinet Size | $35 \frac{7}{16}$ " |

General Information

| | |
|------------------|-----------------|
| Type of Material | Stainless Steel |
| Number of Bowls | 2 |
| Faucet Hole | 1 |

Article Numbers

| | |
|----------------|--------------|
| FUN# | 127.0556.465 |
| US Part Number | HF3322-1KIT |

